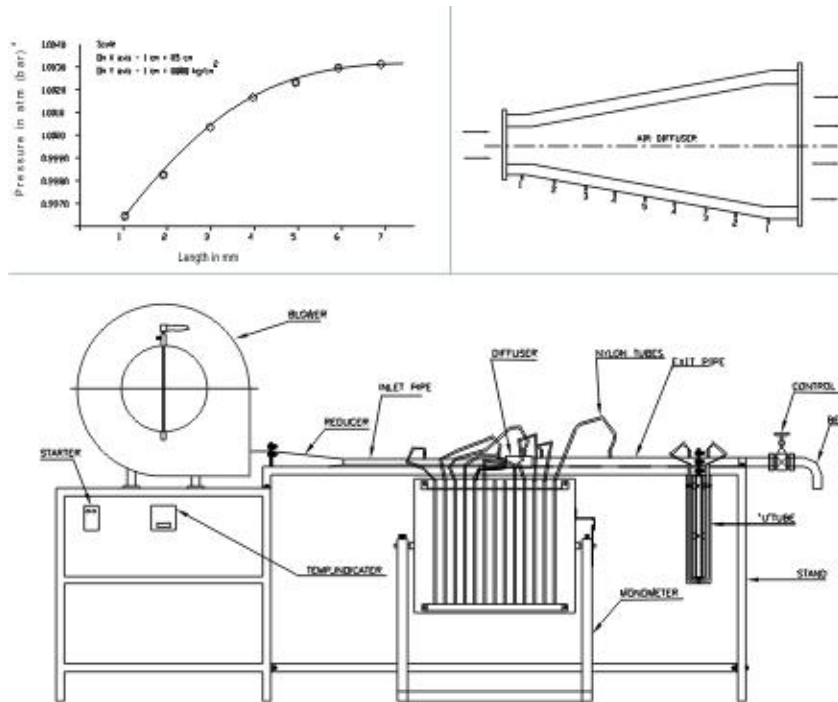


THD-015 AIR DIFFUSER TEST RIG



RANGE OF EXPERIMENTS TO BE CARRIED OUT:

1. To study & determine Mach Number at different Pressure.
2. To Plot Pressure variation along the length of the Diffuser
3. To determine Co-Efficient of Diffusion.

TECHNICAL DESCRIPTION :

The test rig consists of centrifugal blower or compressor for pressurized air flow. The diffuser assembly with pressure tapings are fitted to the blower. A multi column manometer is provided for pressure measurement along the length of diffuser. A flow control valve is provided to control the air flow. An orifice plate is provided for measurement of air flow through the diffuser

DIMENSIONS AND WEIGHT :

Size :2.0 m.(L)x 1.0 m(W) X 1.5m (H)

Weight :Approx. 150 Kg

SERVICE REQUIRED :

Power Supply : 440v, AC ,Three Phase , 50HZ

SCOPE OF DELIVERY:

1. Experimental Setup
2. Instructional Manual

OPTIONAL FACILITY: Data logging Facility